

Universal Flange Adaptor

AW37/1

DN50 - DN700 (EPDM)

PN 10/16

Universal Flange Adaptor connection of pipes of different material types or external diameters. Allows for axial movement and angular deflection.

Technical Details

Maximum Working Pressure PFA:

16 bar / PN16

Working temperature:

Maximum +70°C

Certification:

Hygienic Certificate PZH

Coating:

300 µm FBE coating, external and internal - RAL5015

Application:

Installation for water, potable water, irrigation water and other chemically inert fluids

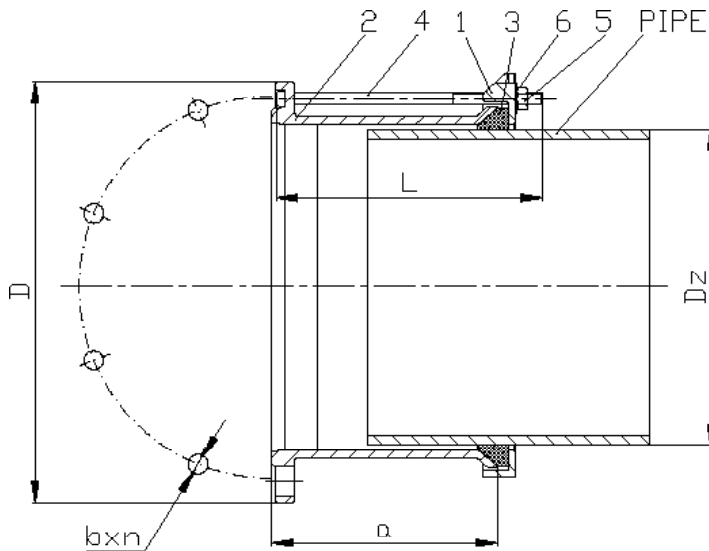
Suitable:

Connecting pipes suitable for steel, cast iron, ductile iron, asbestos-cement UPVC and other type of pipe.

Design features

- The bolt ends are protected with plastic caps.
- Drinking water approved EPDM gasket.
- The maximum axial deviation $\pm 3^\circ$.





No	Part Name	Material
1	Body	Ductile Iron EN-GJS-500-7
2	Gland	Ductile Iron EN-GJS-500-7
3	Gasket	Elastomer EPDM
4	Bolt	Stainless Steel X5CrNiMo17-12-2 / 1.4401 / 316
5	Nut	Stainless Steel X5CrNiMo17-12-2 / 1.4401 / 316
6	Washer	Stainless Steel X5CrNiMo17-12-2 / 1.4401 / 316

Dimension (mm & kg)

DN	Code	PN	Dz [mm]	L [mm]	a [mm]	D	Weight [kg]
50	AH7143	PN10/PN16	59-72	124	75	165	4,2
65	AH7144	PN10/PN16	72-85	124	75	185	5,4
80	AH7145	PN10/PN16	88-103	124	75	200	6,0
100	AH7175	PN10/PN16	93-117	124	75	220	7,0
100	AH7146	PN10/PN16	105-122	134	75	220	7,0
100	AH7147	PN10/PN16	109-128	134	75	220	7,0
125	AH7148	PN10/PN16	125-140	134	75	250	8,8
125	AH7149	PN10/PN16	132-146	134	75	250	8,8
125	AH7150	PN10/PN16	138-153	134	75	250	8,8
150	AH7151	PN10/PN16	155-175	134	75	285	11,0
150	AH7152	PN10/PN16	159-182	134	75	285	11,0
200	AH7159	PN10/PN16	192-210	134	75	340	12,6
200	AH7153	PN10/PN16	218-235	134	75	340	14,6
225	AH7154	PN10/PN16	230-247	144	85	400	20,0
225	AH7155	PN10/PN16	235-252	144	85	400	20,0
225	AH7156	PN10/PN16	250-267	144	85	400	20,0
250	AH7157	PN10/PN16	265-280	144	85	400	20,0
250	AH7158	PN10/PN16	272-289	144	85	400	21,0
300	AH7160	PN10/PN16	315-332	144	100	455	22,0
300	AH7161	PN10/PN16	322-339	144	110	455	22,6
300	AH7162	PN10/PN16	332-349	155	110	455	22,6
350	AH7163	PN10/PN16	351-368	155	115	520	43,3
350	AH7164	PN10/PN16	374-391	155	115	520	43,3
350	AH7034	PN10/PN16	386-415	155	115	580	45,0
400	AH7165	PN10/PN16	400-429	155	115	580	49,5
400	AH7166	PN10/PN16	410-436	155	115	580	49,5
400	AH7167	PN10/PN16	417-437	155	115	580	49,5
400	AH7168	PN10/PN16	425-442	155	115	580	49,5
450	AH7169	PN10/PN16	480-500	190	115	640	62,0
500	AH7170	PN10/PN16	500-532	191	130	715	68,5
500	AH7171	PN10/PN16	526-546	191	130	715	68,5
500	AH7177	PN10/PN16	555-572	191	130	715	70
600	AH7172	PN10/PN16	600-630	195	135	840	85
600	AH7173	PN10/PN16	630-650	195	135	840	85
700	AH7035	PN10/PN16	710-745	200	135	910	115